

Chelsea PTO 252 Parts Manual

Pro Gear Chelsea 252 Series PTO parts manual to assist in identifying the parts for your Chelsea Power Take Off unit.

If you need any assistance identifying the correct Power Take Off unit for your truck and equipment, contact your Chelsea replacement part specialists at Pro Gear and Transmission.

Pro Gear stocks every part for your Parker Chelsea PTO including: PTO housings, mounts, driveshafts, gears, bearings, gaskets, cable shift cover assembly, post and plate assembly, brackets, stud kits, seal kits, lever control assembly, air shift cover assembly, direct mount pump conversion kits, stud kits including English and metric references, CAT D&H parts and much more.

Pro Gear Transmission has same day shipping and 1000's of products in stock and ready to ship internationally for your next project.

For parts or service contact the Chelsea specialists at Pro Gear & Transmission, Inc.

1 (877) 776-4600
(407) 872-1901
parts@eprogear.com



Pro Gear
AND TRANSMISSION

[CLICK TO RETURN TO SITE](#)

CHELSEA[®]

Parts List

252 Series

Effective: April 15, 2013
Supersedes: HY25-2252-M1/US
Dated November 15, 2012

Bulletin HY25-2252-M1/US



Parker | Chelsea



WARNING — User Responsibility

FAILURE OR IMPROPER SELECTION OR IMPROPER USE OF THE PRODUCTS DESCRIBED HEREIN OR RELATED ITEMS CAN CAUSE DEATH, PERSONAL INJURY AND PROPERTY DAMAGE.

This document and other information from Parker Hannifin Corporation, its subsidiaries and authorized distributors provide product or system options for further investigation by users having technical expertise.

The user, through its own analysis and testing, is solely responsible for making the final selection of the system and components and assuring that all performance, endurance, maintenance, safety and warning requirements of the application are met. The user must analyze all aspects of the application, follow applicable industry standards, and follow the information concerning the product in the current product catalog and in any other materials provided from Parker or its subsidiaries or authorized distributors.

To the extent that Parker or its subsidiaries or authorized distributors provide component or system options based upon data or specifications provided by the user, the user is responsible for determining that such data and specifications are suitable and sufficient for all applications and reasonably foreseeable uses of the components or systems.

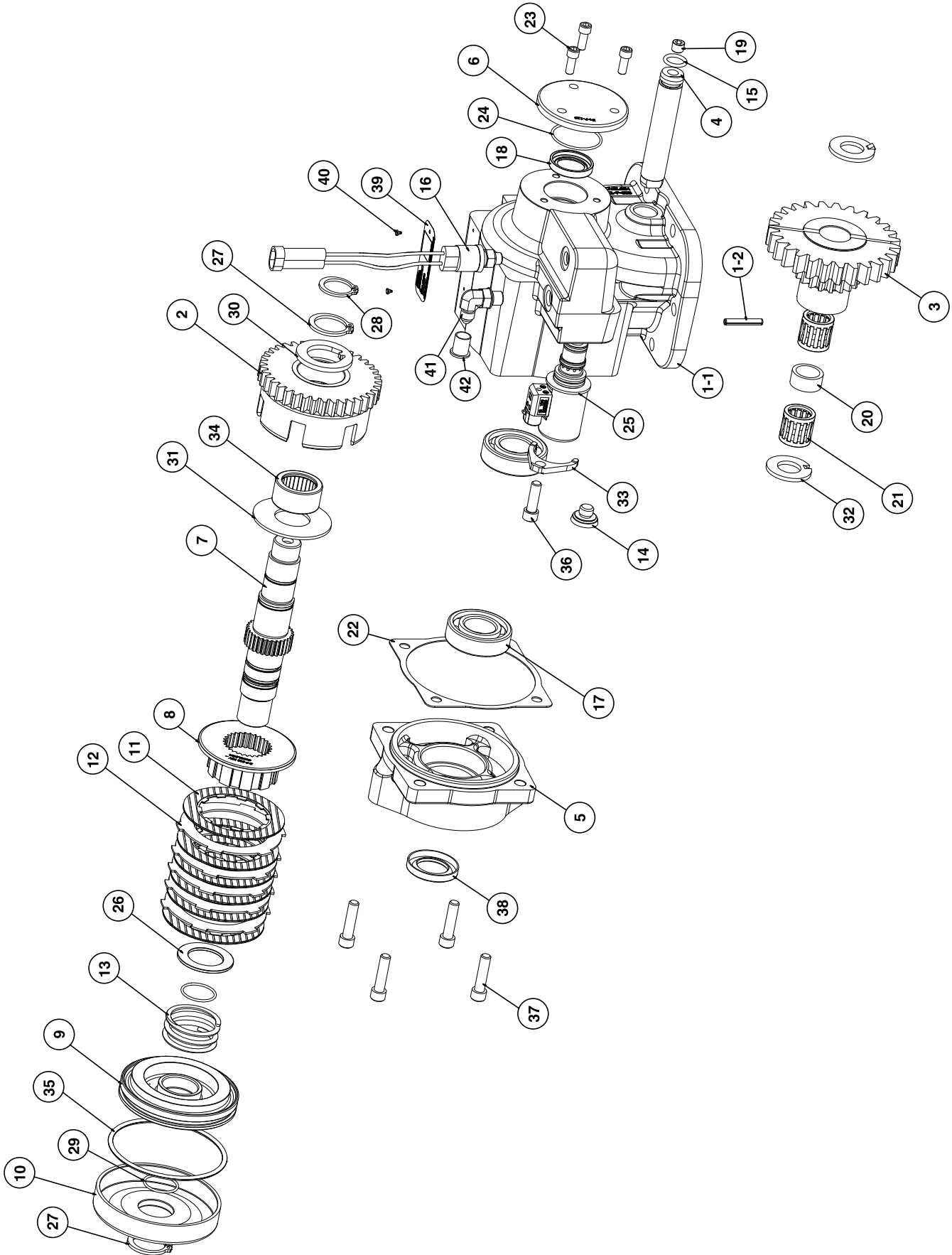
Offer of Sale

The items described in this document are hereby offered for sale by Parker Hannifin Corporation, its subsidiaries or its authorized distributors. This offer and its acceptance are governed by the provisions stated in the "Offer of Sale".

© Copyright 2013, Parker Hannifin Corporation, All Rights Reserved

Contents

Exploded View	1
Bill of Materials	2-3
Gear Chart.....	3
Installation Sketch Dodge w/Aisin Automatic (SK-455 Rev A)	4
Installation Sketch w/o E.O.C. (MY2011 & Later) (SK-495).....	4
Installation Sketch 12V Allison (SK-456 Rev A)	5
Model Number Designation	6
Housing Dimensions.....	6
Kit Bill of Materials.....	7
Offer of Sale	8



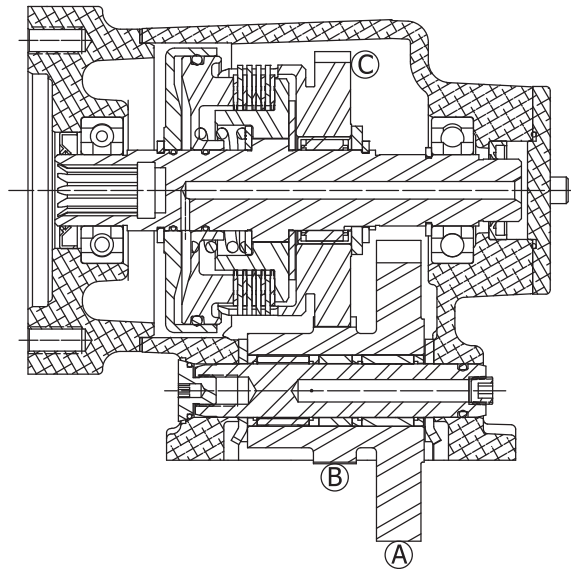
Bill of Materials

Item	Part Number	Description	Qty.
1	1-P-636X	Housing Assembly	1
1-1	1-P-636	Housing	1
1-2	500597-16	Pin Roll (.188" x 1.250").....	1
2	See Chart	Gear Output.....	1
3	See Chart	Gear Input.....	1
4	9-P-90	Shaft Idler (.75").....	1
5	21-P-635	Flange Pump.....	1
6	34-P-129	Cap End	1
7	3-P-1006	Shaft Output 3/4" - 11T ("AD" & "P"*** Pump Options)	1
	3-P-931	Shaft Output 5/8" - 9T ("XE" & 1*** Pump Options)	1
	3-P-934	Shaft Output 1.00" Keyed ("XB" Output Only)	1
8	2-P-819	Gear Clutch	1
9	380067	Piston Clutch.....	1
10	380068	Cylinder Clutch	1
11	379691	Friction Disc.....	6
12	380060	Separator Plate.....	5
13	37-P-56	Spring (1.75" x 1.51")	1
14	379672	Plug O-Ring NWD Socket Face.....	1
15	28-P-191	O-Ring (.549" x .103")	1
16	379502	Switch Pressure.....	1
17	561005	Bearing Ball (.9992" x 2.0472" x .5900").....	2
18	28-P-119	Oil Seal (1.379" x .875" x .249")	1
19	379231	Pipe Plug Hex Socket.....	1
20	14-P-70	Spacer (.765" x .990" x .465").....	1
21	550890	Bearing Needle Roller Ass'y (.750" x 1.000" x 1.000").....	2
22	22-P-109	Gasket 250	1
23	379431-3	Capscrew Socket Head (.250" - 20 x .625")	3
24	28-P-263	O-Ring (1.489" x .070")	1
25	380011-12	Cartridge Valve Non Regulating - 12V (Old Style)	1 or
	380123-12	Cartridge Valve Non Regulating - 12V (New Style).....	1
26	31-P-108	Washer Thrust (1.132" x 1.792" x .092").....	1
27	379694	Lockring.....	2
28	379693	Lockring.....	1
29	28-P-266	O-Ring (.989" x .070")	2
30	31-P-104	Washer Thrust (1.130" x 1.792" x .152").....	1
31	31-P-98	Washer Thrust (1.130" x 2.500" x .092").....	1
32	31-P-97	Washer Thrust (.754" x 1.440" x .123")	2
33	380012	Bracket (Old Style Valve)	1 or
	380124	Bracket (New Style Valve).....	1
34	560998	Bearing Needle Roller Ass'y (1.125" x 1.500" x .750").....	1
35	28-P-287	O-Ring.....	1
36	378447-6	Capscrew Socket Head (.312" - 18 x 1.000").....	1
37	378447-7	Capscrew Socket Head (.312" - 18 x 1.250").....	4
38	28-P-264	Oil Seal (1.628" x 1.000" x .250").....	1
39	68-P-51	Name Plate.....	1

Continued on Next Page

Gear Chart

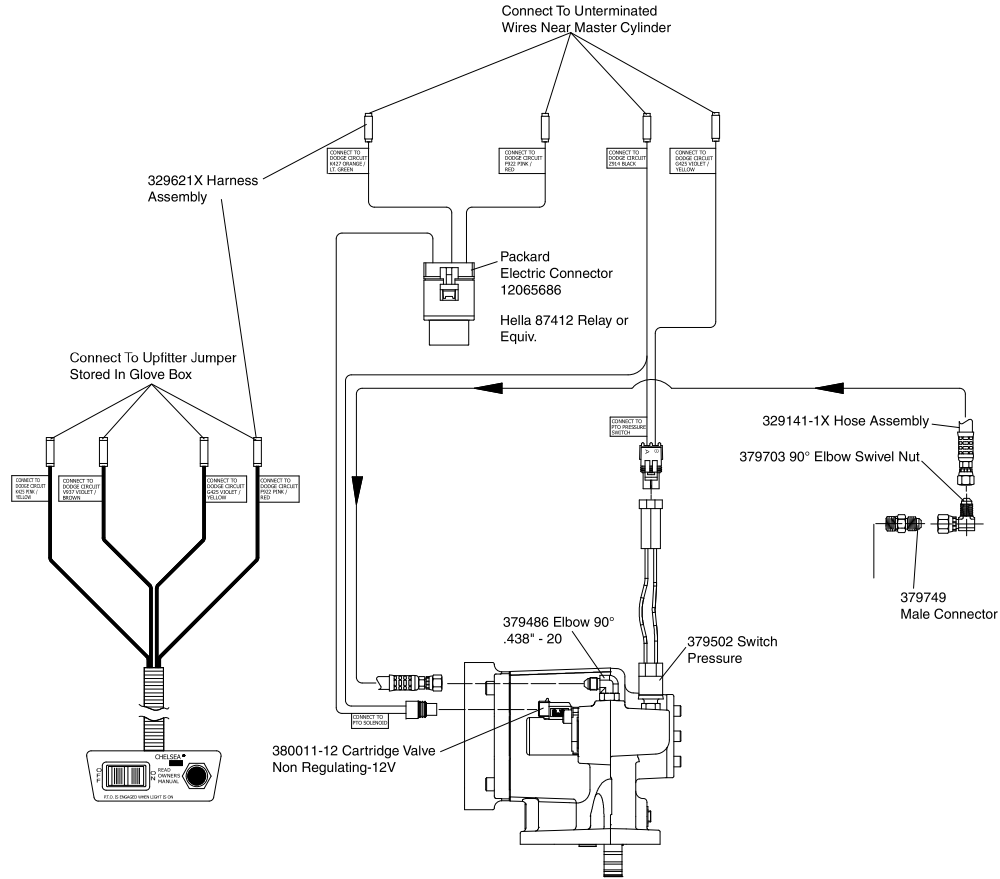
Item	Part Number	Description	Qty.
40	378422	Screw Drive	2
41	379486	Elbow 90° (.438" - 20)	1
42	379564-2	Shipping Cap.....	1
43	500007-24	Woodruff Key ("XB" Output Only)	1
	328948-35X	Kit Installation Instructions.....	1
	7170-102X	Kit P.T.O. Mounting ("G" Mounting Only)	1
	7170-121X	Kit P.T.O. Mounting Dodge Aisin ("D" & "R" Mounting Only)	1
	329296-8X	Kit Installation 12V Allison ("G" Mounting Only).....	1
	329296-9X	Kit Installation 12V Dodge Aisin ("D" Mounting Only).....	1
	329669-12X	Kit Installation 12V RAM Aisin ("R" Mounting Only).....	1
	329229-4X	Kit Pump Mounting (Not for "XB" Output).....	1
	328075X	Assembly Hose ("P" Lube Only)	1
	329141-1X	Assembly Hose (High Pressure Hose).....	1



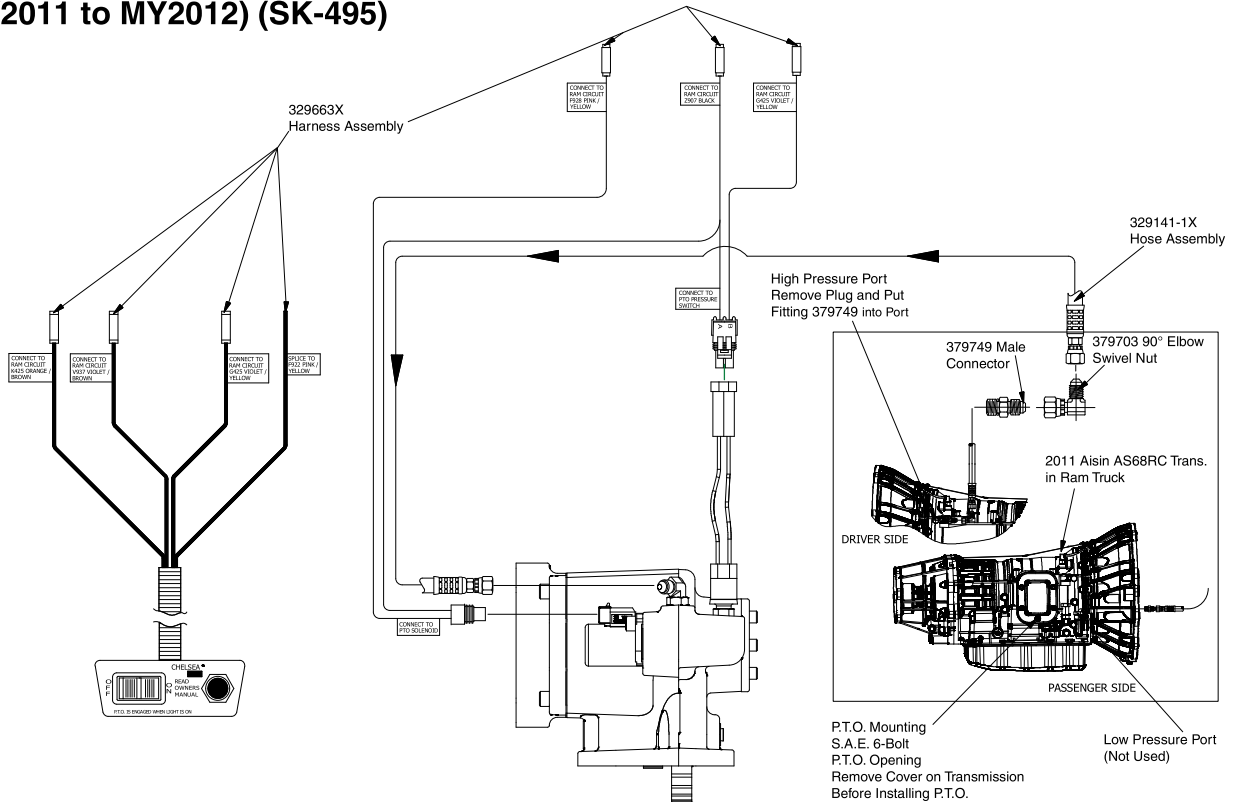
Gear Chart

Gear Designator	Part No. (3)	No. Teeth "A"	Helix	No. Teeth "B"	Comments	Part No. (2)	No. Teeth "C"
252*DHV	5-P-1294	27	SPUR	19	ALLISON 1000, 2000, 2400	2-P-782	37
252*MHV	5-P-1386	27	SPUR	24	ALLISON 1000, 2000, 2400	2-P-775	32
252*DKU	5-P-1427	36	SPUR	19	AISIN	2-P-782	37
252*MKU	5-P-1437	36	SPUR	24	AISIN	2-P-775	32

Installation Sketch Dodge w/Aisin (AS68TC) Automatic (SK-455 Rev A)

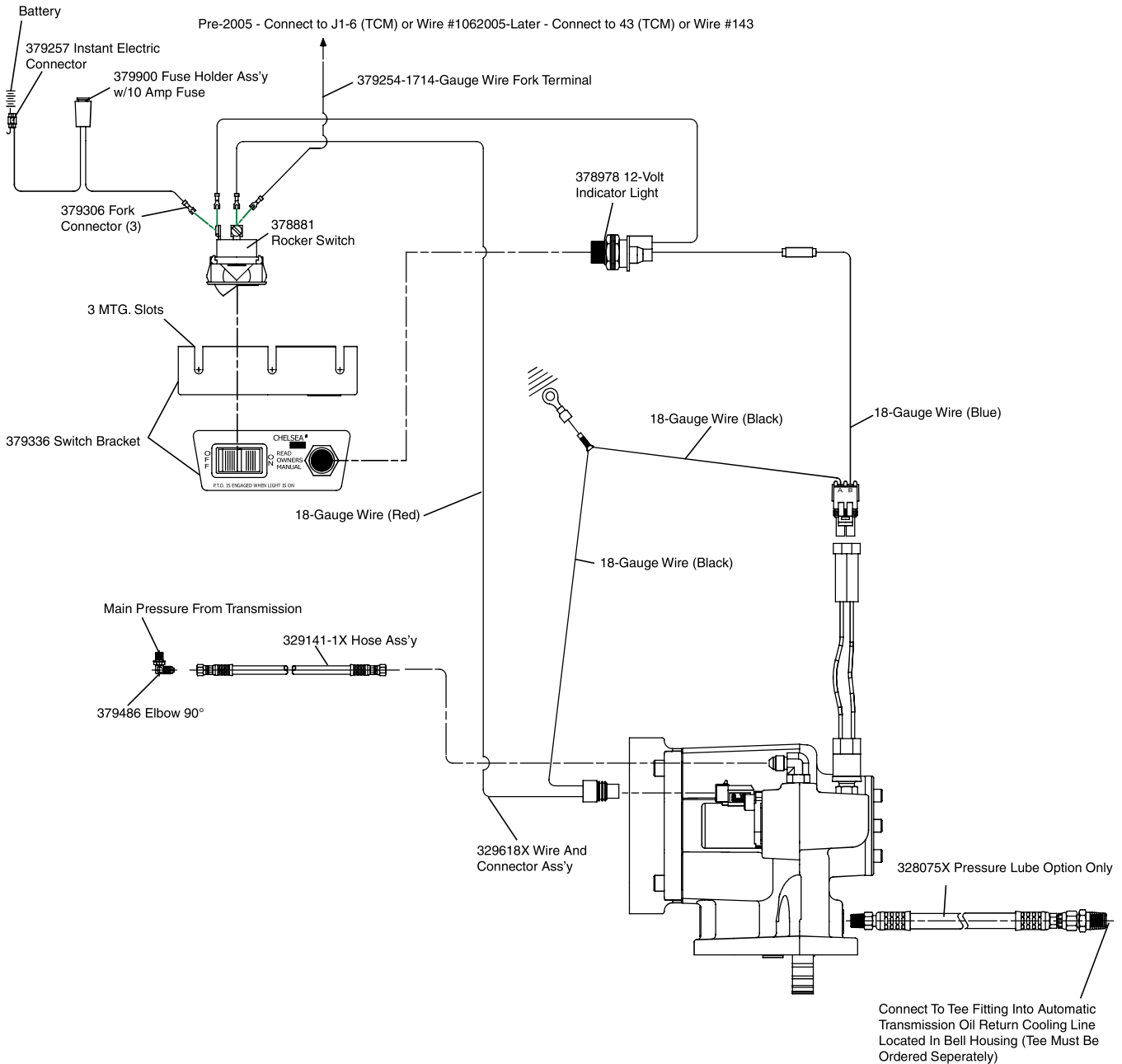


Installation Sketch w/o E.O.C. RAM w/Aisin (AS68TC) Automatic Transmission (MY2011 to MY2012) (SK-495)

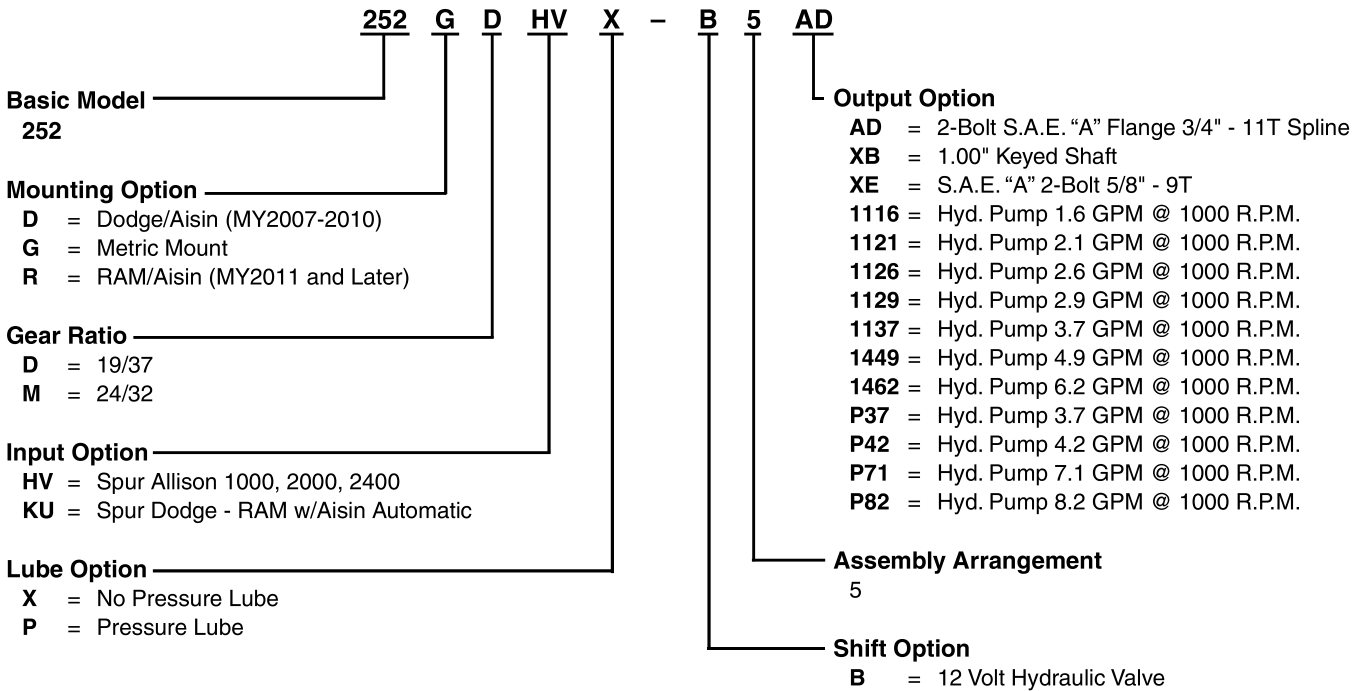


**Installation Sketch 12V without Speed Limiter 252 for Allison 1,000, 2000, 2400
(SK-456 Rev A)**

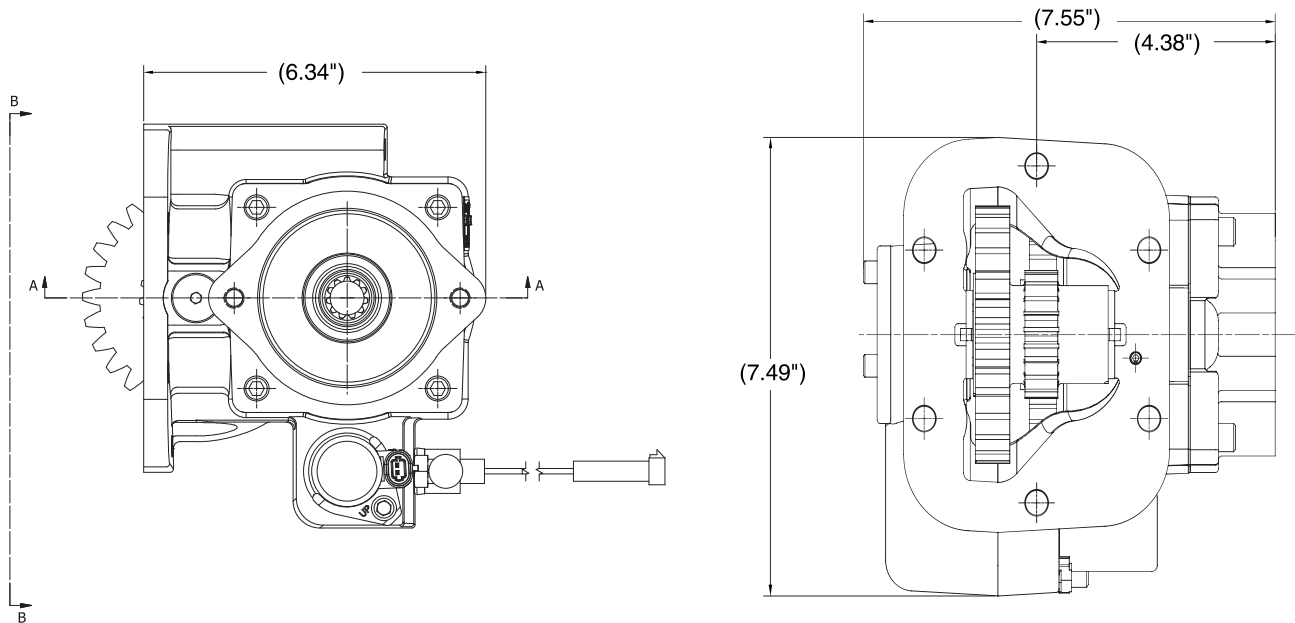
329296-8X (12V Installation Kit)



Model Number Designation



Housing Dimensions



329229-4X	Kit Pump Mounting (Not for "XB" Output)	
378431-11	Hex Capscrew	2
379688	Lubricant Spline.....	1
329296-8X	Kit Installation 12V Allison ("G" Mounting Only)	
329618X	Ass'y Wire.....	1
378978	Indicator.....	1
379306	Fork Connector.....	3
378881	Rocker Swivel.....	1
379336	Switch Bracket.....	1
379257	Splice Connector	1
379254-17	Fork Terminal.....	1
379486	Elbow 90°	1
379900	Ass'y Fuse.....	1
329296-9X	Kit Installation 12V Dodge Aisin ("D" Mounting Only)	
329621X	Electrical.....	1
379703	Swivel Nut	1
379749	O-Ring Connector	1
329669-12X	Kit Installation 12V RAM Aisin ("R" Mounting Only)	
329663X	Ass'y Wiring.....	1
379703	Swivel Nut	1
379749	O-Ring Connector	1
328948-35X	Kit Installation Instructions	
328946X	Caution Label Kit.....	1
35-P-41	Gasket Housing.....	1
379085-2	Instructions Label	1
379624	Product Warranty Card.....	1
Owners Manual	HY25-1806-M1/US	1
Safety Guide	HY25-1002-M1/US	1
7170-102X	Kit P.T.O. Mounting ("G" Mounting Only)	
379578-48	Capcsrew Hex Head.....	1
379744	Flange Nut.....	5
379428-14	Stud M10.....	5
7170-121X	Kit P.T.O. Mounting Dodge Aisin ("D" & "R" Mounting Only)	
379908	Stud Metric	5
379744	Flange Nut.....	5
379577-48	Metric Cap.....	1

Offer of Sale

The items described in this document and other documents and descriptions provided by Parker Hannifin Corporation, its subsidiaries and its authorized distributors ("Seller") are hereby offered for sale at prices to be established by Seller. This offer and its acceptance by any customer ("Buyer") shall be governed by all of the following Terms and Conditions. Buyer's order for any item described in its document, when communicated to Seller verbally, or in writing, shall constitute acceptance of this offer. All goods, services or work described will be referred to as "Products".

1. Terms and Conditions. Seller's willingness to offer Products, or accept an order for Products, to or from Buyer is subject to these Terms and Conditions or any newer version of the terms and conditions found on-line at www.parker.com/salesterms/. Seller objects to any contrary or additional terms or conditions of Buyer's order or any other document issued by Buyer.

2. Price Adjustments; Payments. Prices stated on Seller's quote or other documentation offered by Seller are valid for 30 days, and do not include any sales, use, or other taxes unless specifically stated. Unless otherwise specified by Seller, all prices are F.C.A. Seller's facility (INCOTERMS 2010). Payment is subject to credit approval and is due 30 days from the date of invoice or such other term as required by Seller's Credit Department, after which Buyer shall pay interest on any unpaid invoices at the rate of 1.5% per month or the maximum allowable rate under applicable law.

3. Delivery Dates; Title and Risk; Shipment. All delivery dates are approximate and Seller shall not be responsible for any damages resulting from any delay. Regardless of the manner of shipment, title to any products and risk of loss or damage shall pass to Buyer upon placement of the products with the shipment carrier at Seller's facility. Unless otherwise stated, Seller may exercise its judgment in choosing the carrier and means of delivery. No deferment of shipment at Buyer's request beyond the respective dates indicated will be made except on terms that will indemnify, defend and hold Seller harmless against all loss and additional expense. Buyer shall be responsible for any additional shipping charges incurred by Seller due to Buyer's acts or omissions.

4. Warranty. Parker Chelsea warrants that all products sold conform to the applicable Parker Chelsea standard specification for the lesser period of: 2 years (24 Months) from Date of service or 2-1/2 years (30 Months) from date of build (as marked on the product name plate). The prices charged for Seller's products are based upon the exclusive limited warranty stated above, and upon the following disclaimer: **DISCLAIMER OF WARRANTY: THIS WARRANTY COMPRISES THE SOLE AND ENTIRE WARRANTY PERTAINING TO PRODUCTS PROVIDED HEREUNDER. SELLER DISCLAIMS ALL OTHER WARRANTIES, EXPRESS AND IMPLIED, INCLUDING DESIGN, MERCHANTABILITY AND FITNESS FOR A PARTICULAR PURPOSE.**

5. Claims; Commencement of Actions. Buyer shall promptly inspect all Products upon delivery. No claims for shortages will be allowed unless reported to the Seller within 10 days of delivery. No other claims against Seller will be allowed unless asserted in writing within 30 days after delivery. Buyer shall notify Seller of any alleged breach of warranty within 30 days after the date the defect is or should have been discovered by Buyer. Any action based upon breach of this agreement or upon any other claim arising out of this sale (other than an action by Seller for an amount due on any invoice) must be commenced within 12 months from the date of the breach without regard to the date breach is discovered.

6. LIMITATION OF LIABILITY. UPON NOTIFICATION, SELLER WILL, AT ITS OPTION, REPAIR OR REPLACE A DEFECTIVE PRODUCT, OR REFUND THE PURCHASE PRICE. IN NO EVENT SHALL SELLER BE LIABLE TO BUYER FOR ANY SPECIAL, INDIRECT, INCIDENTAL OR CONSEQUENTIAL DAMAGES ARISING OUT OF, OR AS THE RESULT OF, THE SALE, DELIVERY, NON-DELIVERY, SERVICING, USE OR LOSS OF USE OF THE PRODUCTS OR ANY PART THEREOF, OR FOR ANY CHARGES OR EXPENSES OF ANY NATURE INCURRED WITHOUT SELLER'S WRITTEN CONSENT, EVEN IF SELLER HAS BEEN NEGLIGENT, WHETHER IN CONTRACT, TORT OR OTHER LEGAL THEORY. IN NO EVENT SHALL SELLER'S LIABILITY UNDER ANY CLAIM MADE BY BUYER EXCEED THE PURCHASE PRICE OF THE PRODUCTS.

7. User Responsibility. The user, through its own analysis and testing, is solely responsible for making the final selection of the system and Product and assuring that all performance, endurance, maintenance, safety and warning requirements of the application are met. The user must analyze all aspects of the application and follow applicable industry standards and Product information. If Seller provides Product or system options, the user is responsible for determining that such data and specifications are suitable and sufficient for all applications and reasonably foreseeable uses of the Products or systems.

8. Loss to Buyer's Property. Any designs, tools, patterns, materials, drawings, confidential information or equipment furnished by Buyer or any other items which become Buyer's property, will be considered obsolete and may be destroyed by Seller after two consecutive years have elapsed without Buyer ordering the items manufactured using such property. Seller shall not be responsible for any loss or damage to such property while it is in Seller's possession or control.

9. Special Tooling. A tooling charge may be imposed for any special tooling, including without limitation, dies, fixtures, molds and patterns, acquired to manufacture Products. Such special tooling shall be and remain Seller's property notwithstanding payment of any charges by Buyer. In no event will Buyer acquire any interest in apparatus belonging to Seller which is utilized in the manufacture of the Products, even if such apparatus has been specially converted or adapted for such manufacture and notwithstanding any charges paid by Buyer. Unless otherwise agreed, Seller shall have the right to alter, discard or otherwise dispose of any special tooling or other property in its sole discretion at any time.

10. Buyer's Obligation; Rights of Seller. To secure payment of all sums due or otherwise, Seller shall retain a security interest in the goods delivered and this agreement shall be deemed a Security Agreement under the Uniform Commercial Code. Buyer authorizes Seller as its attorney to execute and file on Buyer's behalf all documents Seller deems necessary to perfect its security interest.

11. Improper use and Indemnity. Buyer shall indemnify, defend, and hold Seller harmless from any claim, liability, damages, lawsuits, and costs (including attorney fees), whether for personal injury, property damage, patent, trademark or copyright infringement or any other claim, brought by or incurred by Buyer, Buyer's employees, or any other person, arising out of: (a) improper selection, improper application or other misuse of Products purchased by Buyer from Seller; (b) any act or omission, negligent or otherwise, of Buyer; (c) Seller's use of patterns, plans, drawings, or specifications furnished by Buyer to manufacture Product; or (d) Buyer's failure to comply with these terms and conditions. Seller shall not indemnify Buyer under any circumstance except as otherwise provided.

12. Cancellations and Changes. Orders shall not be subject to cancellation or change by Buyer for any reason, except with Seller's written consent and upon terms that will indemnify, defend and hold Seller harmless against all direct, incidental and consequential loss or damage. Seller may change product features, specifications, designs and availability with notice to Buyer.

13. Limitation on Assignment. Buyer may not assign its rights or obligations under this agreement without the prior written consent of Seller.

14. Force Majeure. Seller does not assume the risk and shall not be liable for delay or failure to perform any of Seller's obligations by reason of circumstances beyond the reasonable control of Seller (hereinafter "Events of Force Majeure"). Events of Force Majeure shall include without limitation: accidents, strikes or labor disputes, acts of any government or government agency, acts of nature, delays or failures in delivery from carriers or suppliers, shortages of materials, or any other cause beyond Seller's reasonable control.

15. Waiver and Severability. Failure to enforce any provision of this agreement will not waive that provision nor will any such failure prejudice Seller's right to enforce that provision in the future. Invalidation of any provision of this agreement by legislation or other rule of law shall not invalidate any other provision herein. The remaining provisions of this agreement will remain in full force and effect.

16. Termination. Seller may terminate this agreement for any reason and at any time by giving Buyer thirty (30) days written notice of termination. Seller may immediately terminate this agreement, in writing, if Buyer: (a) commits a breach of any provision of this agreement (b) appoints a trustee, receiver or custodian for all or any part of Buyer's property (c) files a petition for relief in bankruptcy on its own behalf, or by a third party (d) makes an assignment for the benefit of creditors, or (e) dissolves or liquidates all or a majority of its assets.

17. Governing Law. This agreement and the sale and delivery of all Products hereunder shall be deemed to have taken place in and shall be governed and construed in accordance with the laws of the State of Ohio, as applicable to contracts executed and wholly performed therein and without regard to conflicts of laws principles. Buyer irrevocably agrees and consents to the exclusive jurisdiction and venue of the courts of Cuyahoga County, Ohio with respect to any dispute, controversy or claim arising out of or relating to this agreement.

18. Indemnity for Infringement of Intellectual Property Rights. Seller shall have no liability for infringement of any patents, trademarks, copyrights, trade dress, trade secrets or similar rights except as provided in this Section. Seller will defend and indemnify Buyer against allegations of infringement of U.S. patents, U.S. trademarks, copyrights, trade dress and trade secrets ("Intellectual Property Rights"). Seller will defend at its expense and will pay the cost of any settlement or damages awarded in an action brought against Buyer based on an allegation that a Product sold pursuant to this Agreement infringes the Intellectual Property Rights of a third party. Seller's obligation to defend and indemnify Buyer is contingent on Buyer notifying Seller within ten (10) days after Buyer becomes aware of such allegations of infringement, and Seller having sole control over the defense of any allegations or actions including all negotiations for settlement or compromise. If a Product is subject to a claim that it infringes the Intellectual Property Rights of a third party, Seller may, at its sole expense and option, procure for Buyer the right to continue using the Product, replace or modify the Product so as to make it noninfringing, or offer to accept return of the Product and return the purchase price less a reasonable allowance for depreciation. Notwithstanding the foregoing, Seller shall have no liability for claims of infringement based on information provided by Buyer, or directed to Products delivered hereunder for which the designs are specified in whole or part by Buyer, or infringements resulting from the modification, combination or use in a system of any Product sold hereunder. The foregoing provisions of this Section shall constitute Seller's sole and exclusive liability and Buyer's sole and exclusive remedy for infringement of Intellectual Property Rights.

19. Entire Agreement. This agreement contains the entire agreement between the Buyer and Seller and constitutes the final, complete and exclusive expression of the terms of sale. All prior or contemporaneous written or oral agreements or negotiations with respect to the subject matter are herein merged.

20. Compliance with Law, U. K. Bribery Act and U.S. Foreign Corrupt Practices Act. Buyer agrees to comply with all applicable laws and regulations, including both those of the United Kingdom and the United States of America, and of the country or countries of the Territory in which Buyer may operate, including without limitation the U. K. Bribery Act, the U.S. Foreign Corrupt Practices Act ("FCPA") and the U.S. Anti-Kickback Act (the "Anti-Kickback Act"), and agrees to indemnify and hold harmless Seller from the consequences of any violation of such provisions by Buyer, its employees or agents. Buyer acknowledges that they are familiar with the provisions of the U. K. Bribery Act, the FCPA and the Anti-Kickback Act, and certifies that Buyer will adhere to the requirements thereof. In particular, Buyer represents and agrees that Buyer shall not make any payment or give anything of value, directly or indirectly to any governmental official, any foreign political party or official thereof, any candidate for foreign political office, or any commercial entity or person, for the purpose of influencing such person to purchase products or otherwise benefit the business of Seller.

02/12



Parker Hannifin Corporation
Chelsea Products Division
8225 Hacks Cross Road
Olive Branch, Mississippi 38654 USA
Tel: (662) 895-1011
Fax: (662) 895-1069
www.parker.com/chelsea



BLI 04/13 20